



TDA - L LONG CASED

Construction

Double flanged casing is produced in mild steel or galvanised Steel, the impeller having manually adjustable pitch blades is made of PPG, PAG or pressure-casted Aluminium.

Finish

Painting or galvanised after manufacture are normal finishes on all parts.

Operating Temperature

-20°C to +55°C

Motors

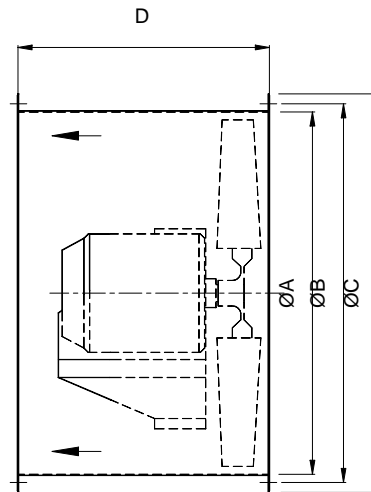
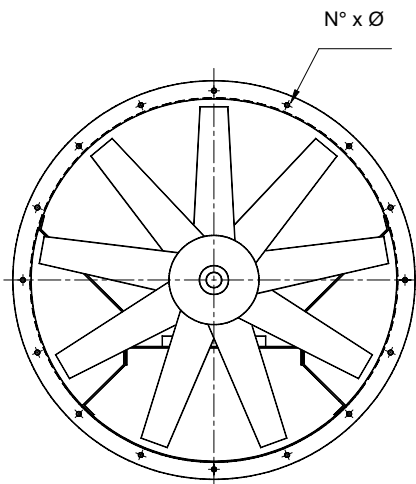
Totally enclosed Class 'F' motor, to a min. IP54 protection are fitted as standard. Standard motor up to 2.2kW are usually supplied on DOL starting, motor 3.0kW and above are star/delta starting.

Airflow Direction

Air flowing from impeller to motor are fitted as standard. Air flowing from motor to impeller can be supplied on request.

Option

Spark resistance construction in accordance to AMCA standard 99-0401-86-type C construction can be supplied upon request.



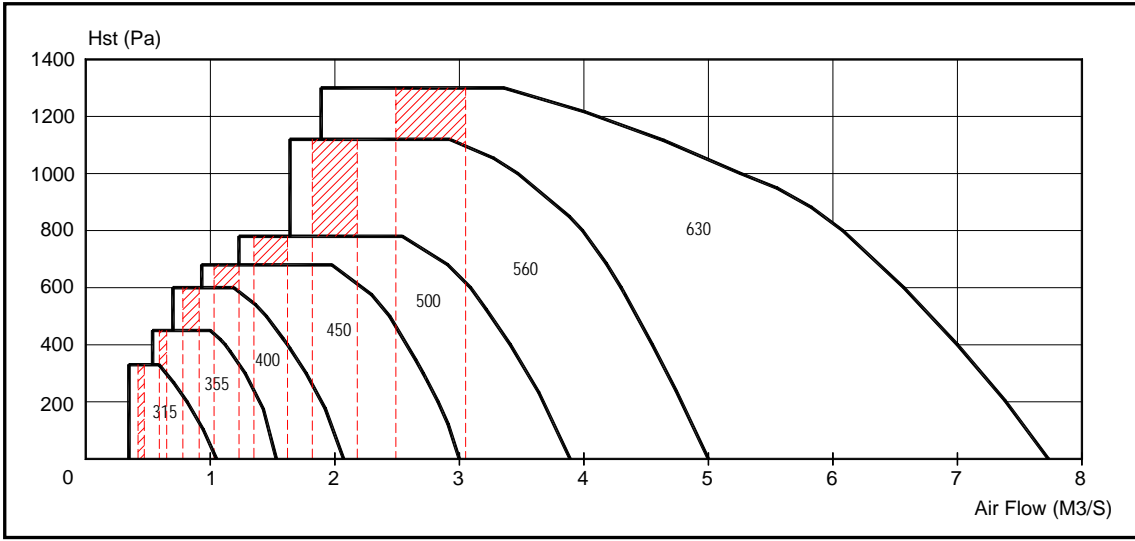
All Dimension in mm.

MODEL	A	B	C	D	N°	Ø	Weight (kg)	Max.Motor* FrameSize
315	315	355	395	355	8	10	8	D71
355	355	395	435	355	8	10	10	D80
400	400	440	480	355	12	10	11	D90S
450	450	490	530	400	12	10	14	D90L
500	500	540	580	500	12	10	18	D90L
560	560	605	660	500	12	10	22	D112M
630	630	675	730	500	12	10	24	D112M
710	710	755	810	500	18	12	40	D112M
800	800	845	900	560	18	12	49	D132M

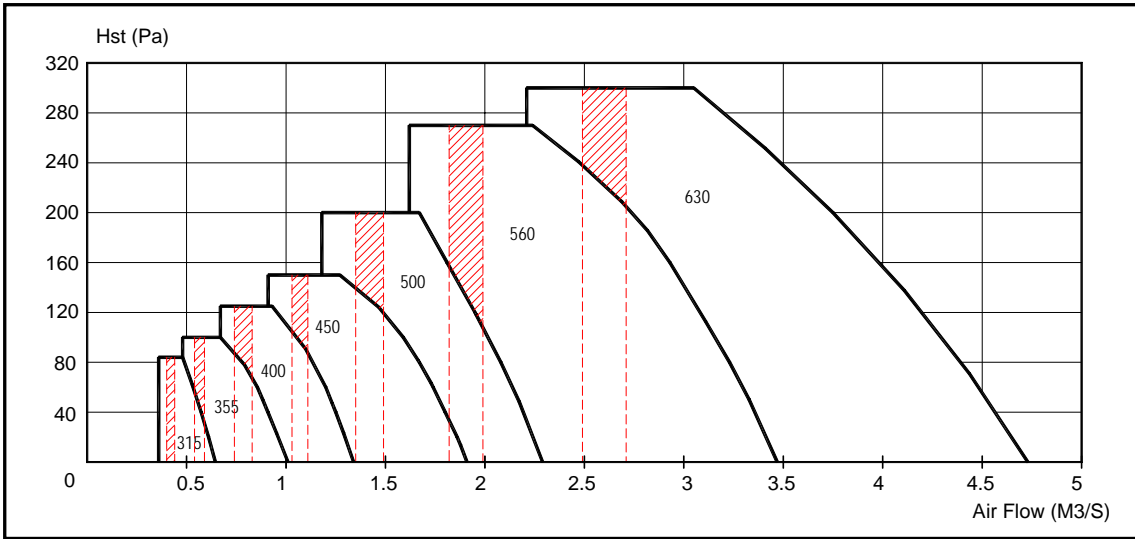
MODEL	A	B	C	D	N°	Ø	Weight (kg)	Max.Motor* FrameSize
900	900	945	1000	630	18	12	66	D160M
1000	1000	1050	1100	630	24	12	73	D160M
1120	1120	1185	1250	900	24	12	135	D225M
1250	1250	1315	1380	1000	24	12	170	D250M
1400	1400	1465	1530	1120	32	14	220	D250M
1600	1600	1663	1730	1250	32	14	275	D250M
1800	1800	1856	1930	1400	32	14	335	D280M
2000	2000	2073	2130	1400	32	14	380	D315M

* Motor frame size beyond this range, please consult KRUGER for details --- Weight without motor and impeller.

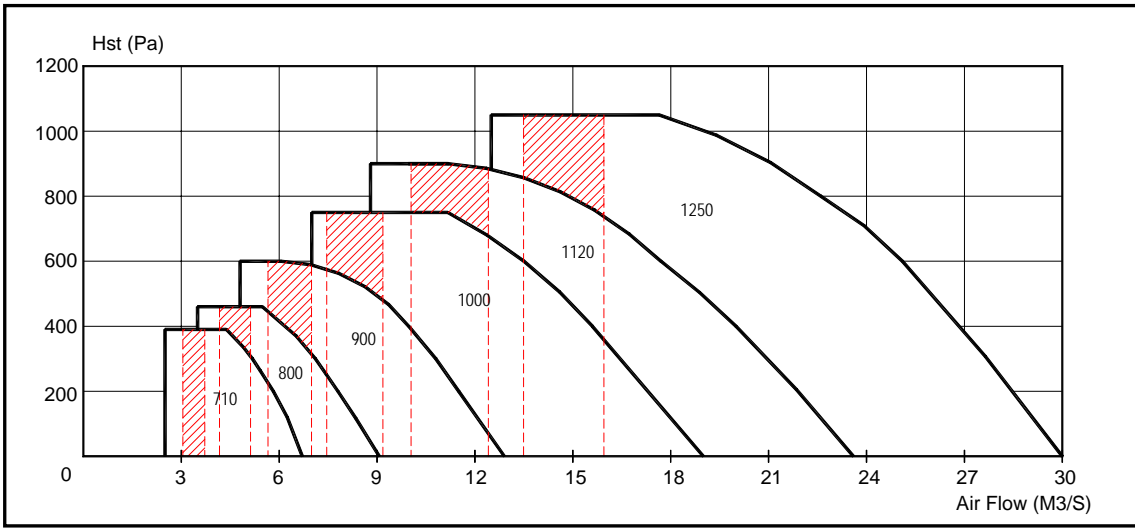
2 POLES - 2800 RPM



4 POLES - 1420 RPM

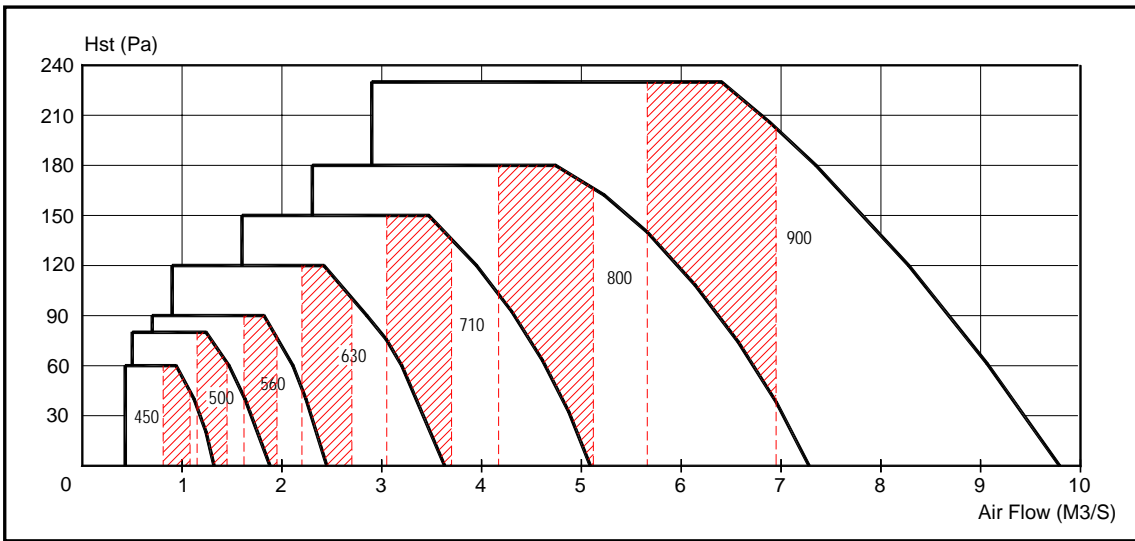


4 POLES - 1420 RPM

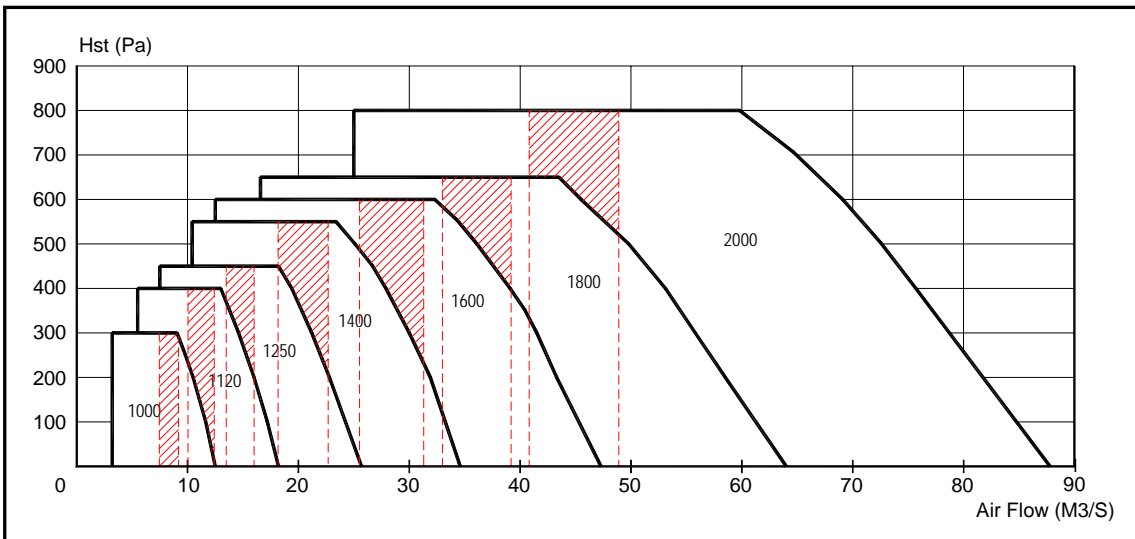


*** Shaded portion is the recommended operating range based on the duct velocity consideration (friction loss of 1 Pa/m)

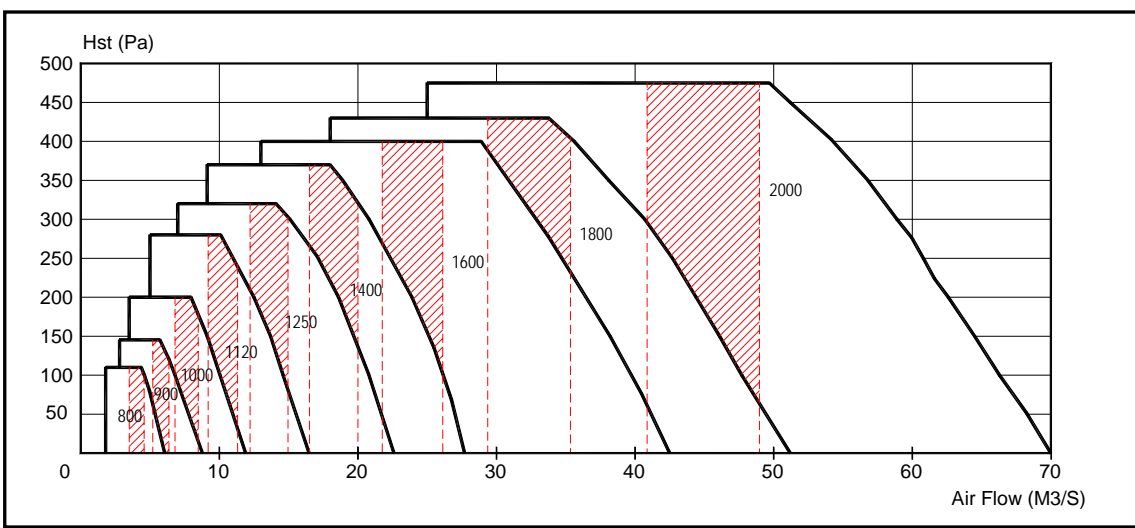
6 POLES - 900 RPM



6 POLES - 900 RPM

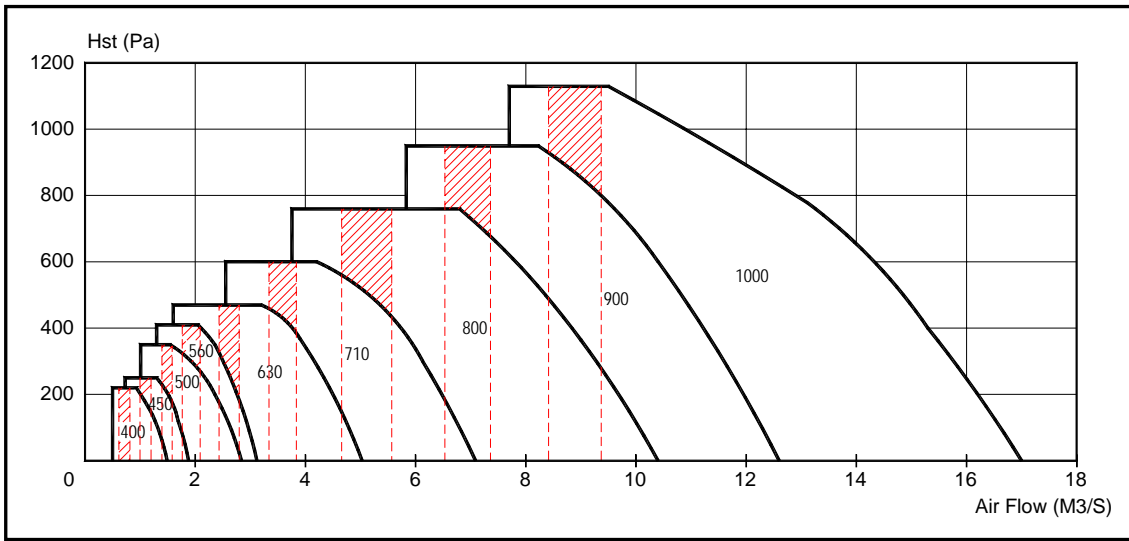


8 POLES - 720 RPM

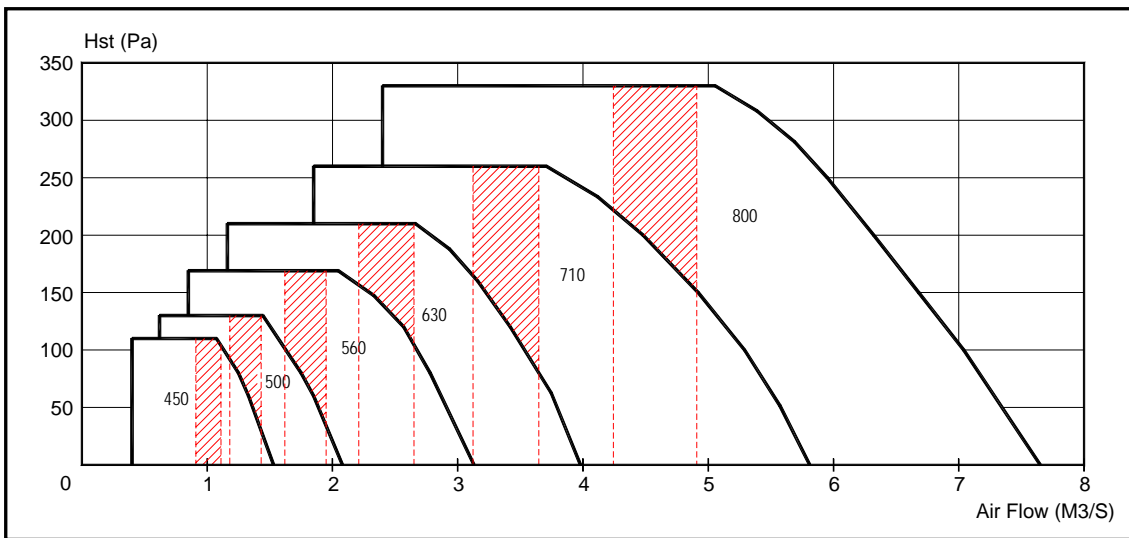


*** Shaded portion is the recommended operating range based on the duct velocity consideration (friction loss of 1 Pa/m)

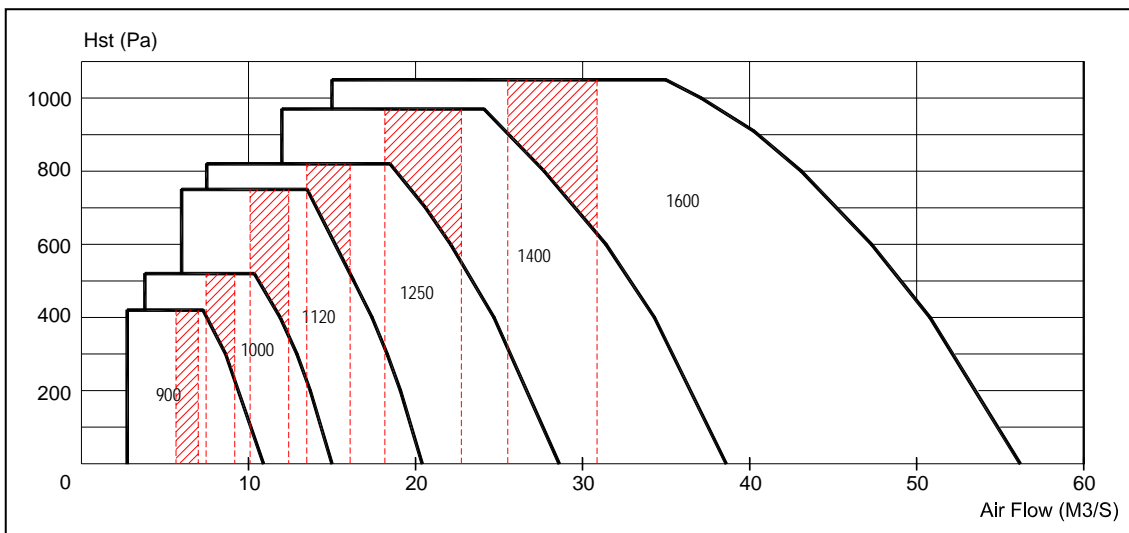
4 POLES - 1750 RPM



6 POLES - 1150 RPM



6 POLES - 1150 RPM



*** Shaded portion is the recommended operating range based on the duct velocity consideration (friction loss of 1 Pa/m)